

New Products
Quartz Crystal
Crystal Oscillator
Crystal Oscillator

TCXO

VCXO

VCTCXO

Monolithic Crystal Filters
Saw Filter & Resonators
Ceramic Resonators

RFQ
Request For Quotation
CRYSTAL OSCILLATOR

 Sunny company information **SUNNY**

 [[SCO-020](#)] [[SCO-060](#)] [[SCO-105](#)] [[SCO-103](#)] [[SCO-200](#)]

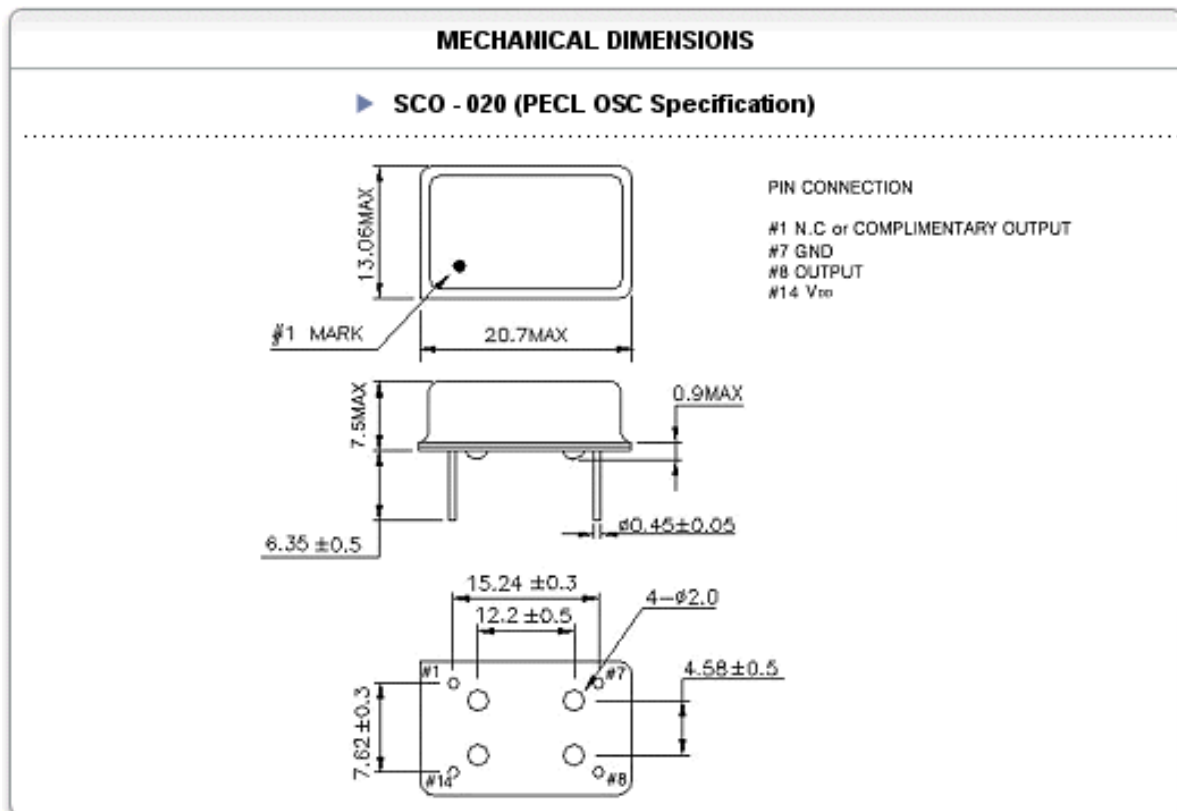
SCO-020

- HCMOS / TTL output
- 5.0V / 3.3V supply voltage
- PECL output available
- 14 pin
- Custom lead length options available
- Available in wide frequency range

 SCO-02 (PECL OSC Specification)
ELECTRICAL SPECIFICATIONS

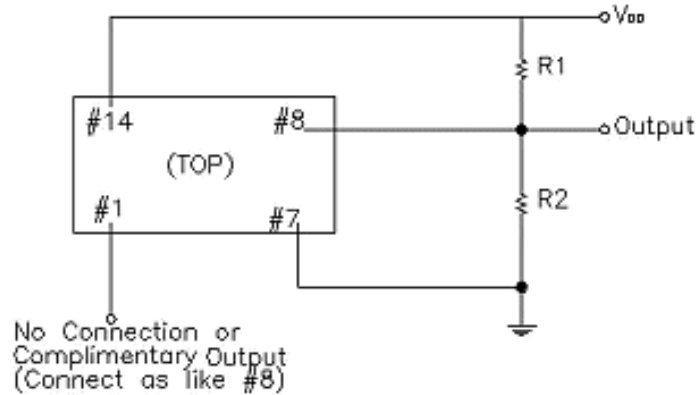
MODEL	SCO-02 (PECL OSC Specification)
Frequency Range	7.000000MHz to 155.520000MHz
Operating Temperature Range	0 to +70°C or -40 to +85°C
Storage Temperature Range	-55 to +125°C
Supply Voltage (VDD)	3.3VDC $\pm 5\%$, 5.0VDC $\pm 5\%$
Aging (at 25°C)	± 5 ppm / year Max
Load drive Capability	50 Ω
Start up Time	10msec Max 0.01 to 2,000 μ s
Input Current	60msec Max
Frequency Tolerance / Stability	± 25 , ± 50 , ± 100 ppm Max
Output Voltage Logic High (VOH)	2.275Min (3.3V), 3.96Min (5.0V)
Output Voltage Logic High (VOL)	1.68Max (3.3V), 3.40Max (5.0V)
Duty Cycle	40/60% or 45/55 (at 50% of waveform)
Rise / Fall Time	2nsec Max (200% of waveform)

TOP



TEST CIRCUIT

▶ TEST CIRCUIT



	V _{DD}	
	3.3V	5.0V
R1	130 ohm	82 ohm
R2	82 ohm	130 ohm

TOP

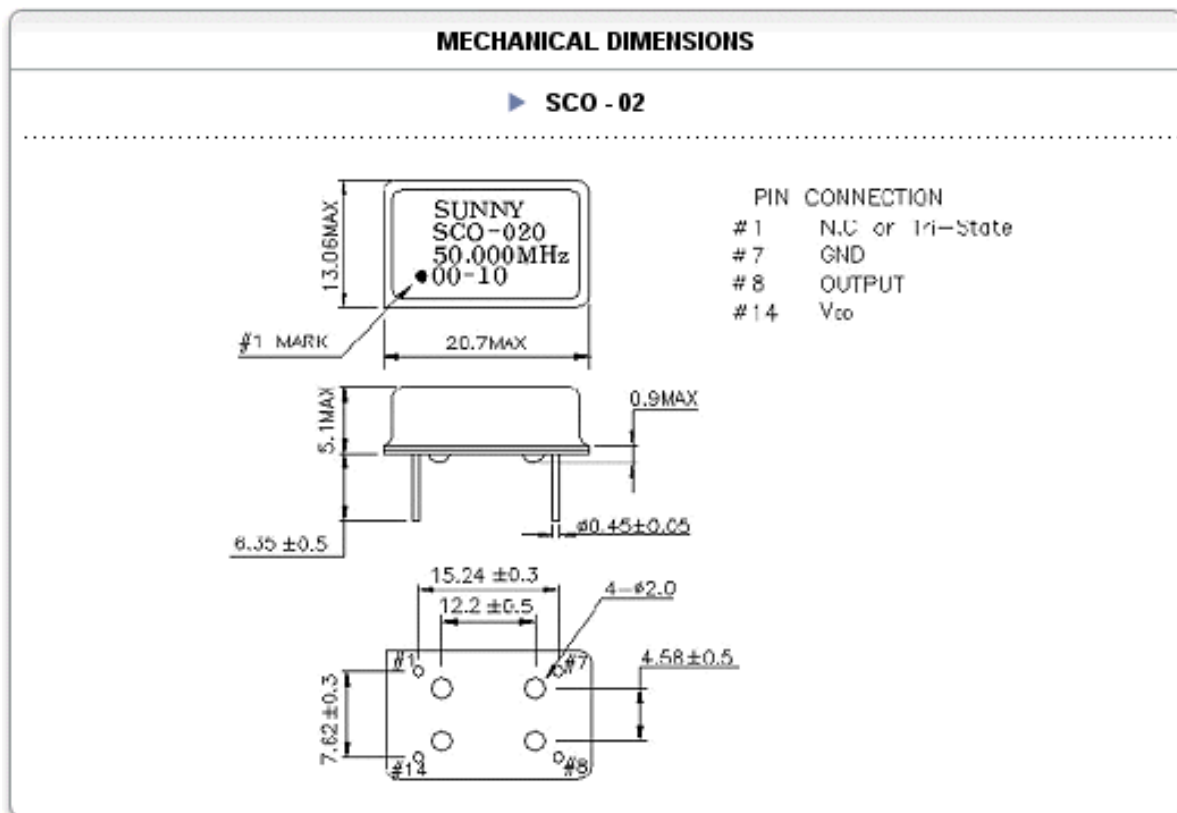
SCO-02

ELECTRICAL SPECIFICATIONS

MODEL		SCO-02 Series	
Frequency Range		1.000 to 125.000 MHz	
Operating Temperature Range		0 to +70°C or -40 to +85°C	
Storage Temperature Range		-55 to +125°C	
Supply Voltage(VDD)		5.0VDC ±10%	3.3VDC ±10%
Frequency Tolerance/Stability		±100, ±50, ±25 ppm Max	
Input Current	1.000 to 20.000MHz	20mA Max	15mA Max
	20.001 to 40.000MHz	30mA Max	25mA Max
	40.001 to 80.000MHz	40mA Max	35mA Max
	80.001 to 125.000MHz	50mA Max	45mA Max
Load drive Capability		10TTL Load or 15pf HCMOS Load	
Output Voltage Logic High(VOH)	w/TTL Load	2.4VDC Min	
	w/HCMOS Load	90% of VDD Min	
Output Voltage Logic Low(VOL)	w/TTL Load	0.4VDC Max	
	w/HCMOS Load	10% of VDD Max	
Duty Cycle	at 50% of WaveForm w/HCMOS Load or 1.4VDC w/TTL Load	50 ±10% (STD) 50 ±5% (Optional)	

Rise / Fall Time	1.000 to 20.000MHz 20.001 to 70.000MHz 70.001 to 125.000MHz	10nsec Max 6nsec Max 4nsec Max
Aging (at 25°C)		±5 ppm/year Max
Start up Time		10msec Max
Pin 1 Tri-State Input Voltage	No Connection VIH : \hat{A} 2.0VDC VIL : \hat{A} 0.8VDC	Enables Output Enables Output Disables Output: High Impedance
Period Jitter: Absolute		±100ps Max
Period Jitter: One Sigma		±25ps Max

TOP



TOP

Copyright (c) 2001 **SUNNY ELECTRONICS** All rights reserved, more information e-mail